

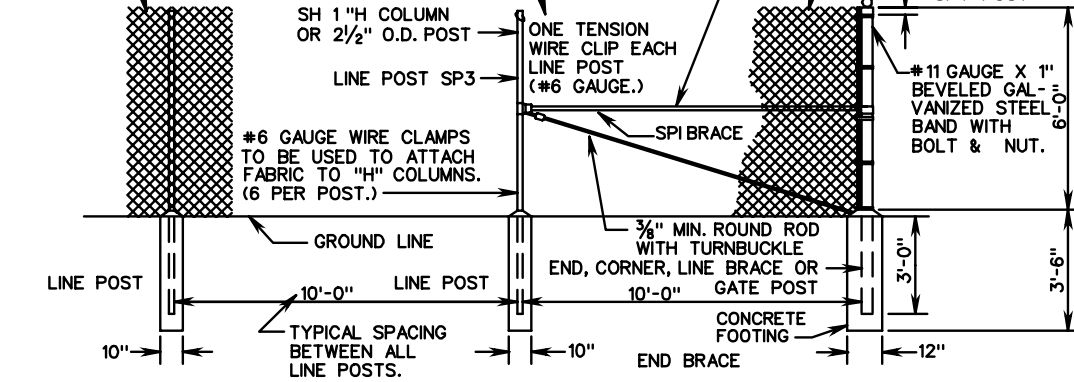
FE-CL

TOP AND BOTTOM SELVAGE TO BE BARBED.

HEIGHT OF BRACE TO BE IN ACCORDANCE WITH MANUFACTURER'S SPECIFICATIONS.

TENSION WIRE #7 GAUGE GALVANIZED COIL SPRING WIRE STRETCHED TAUT.

ATTACH FENCE FABRIC TO TENSION WIRE WITH HOG-RINGS APPROXIMATELY 24" C-C.



NOTES:
SEE GENERAL NOTES-FENCING FOR ADDITIONAL DETAILS AND INSTRUCTIONS

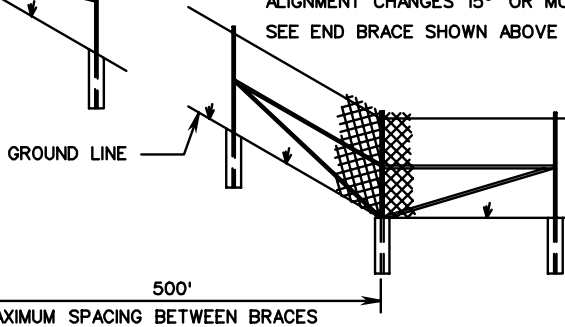
A MOISTURE-EXCLUDING CAP IS REQUIRED ON TUBULAR POSTS.

MATERIAL FOR CAP SHALL CONFORM TO THE ALLOWABLE TYPES FOR OTHER LISTED FILLINGS.

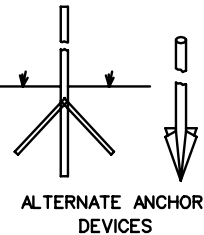
CORNER BRACE - TO BE USED WHEN HORIZONTAL ALIGNMENT CHANGES 15° OR MORE.

SEE END BRACE SHOWN ABOVE FOR BRACE DETAILS.

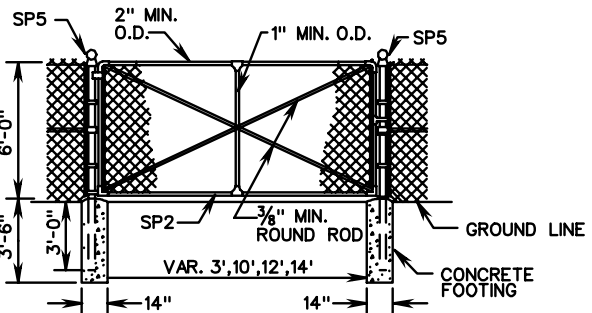
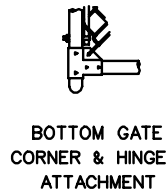
LINE BRACE - TO BE USED WHEN VERTICAL ALIGNMENT CHANGES 15° OR MORE.



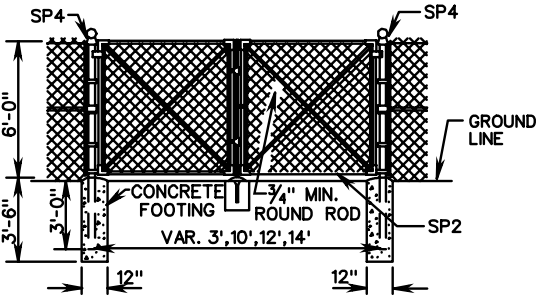
ALTERNATE ANCHOR DEVICES MAY BE USED IN LIEU OF SETTING POST IN CONCRETE. DEVICES SHOWN ARE REPRESENTATIONAL ONLY. SEE GENERAL NOTES.



FITTINGS SHOWN ARE SUGGESTED ONLY. SIMILAR DESIGNS MEETING THE APPROVAL OF THE ENGINEER MAY BE USED.

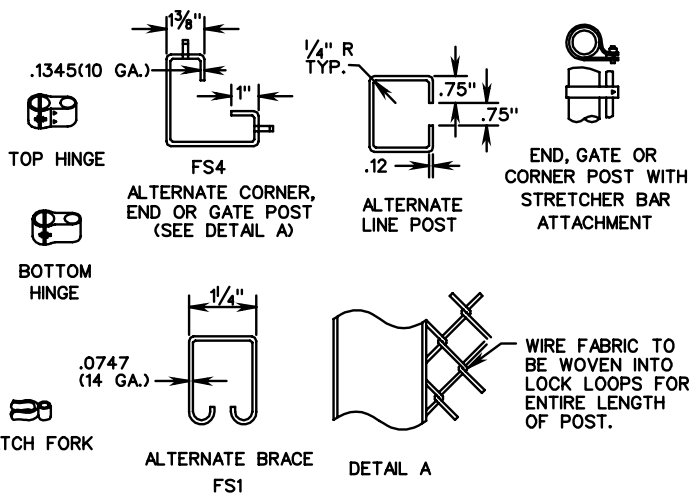


SINGLE SWING GATE



DOUBLE SWING GATE

(TO BE USED WHERE SWINGING CLEARANCE IS LIMITED)



**STANDARD FENCE
CHAIN LINK**

VIRGINIA DEPARTMENT OF TRANSPORTATION

SPECIFICATION REFERENCE

242
507