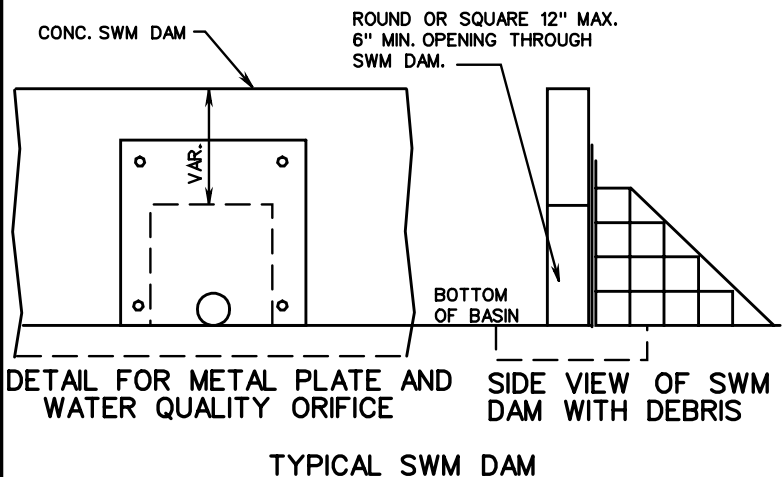
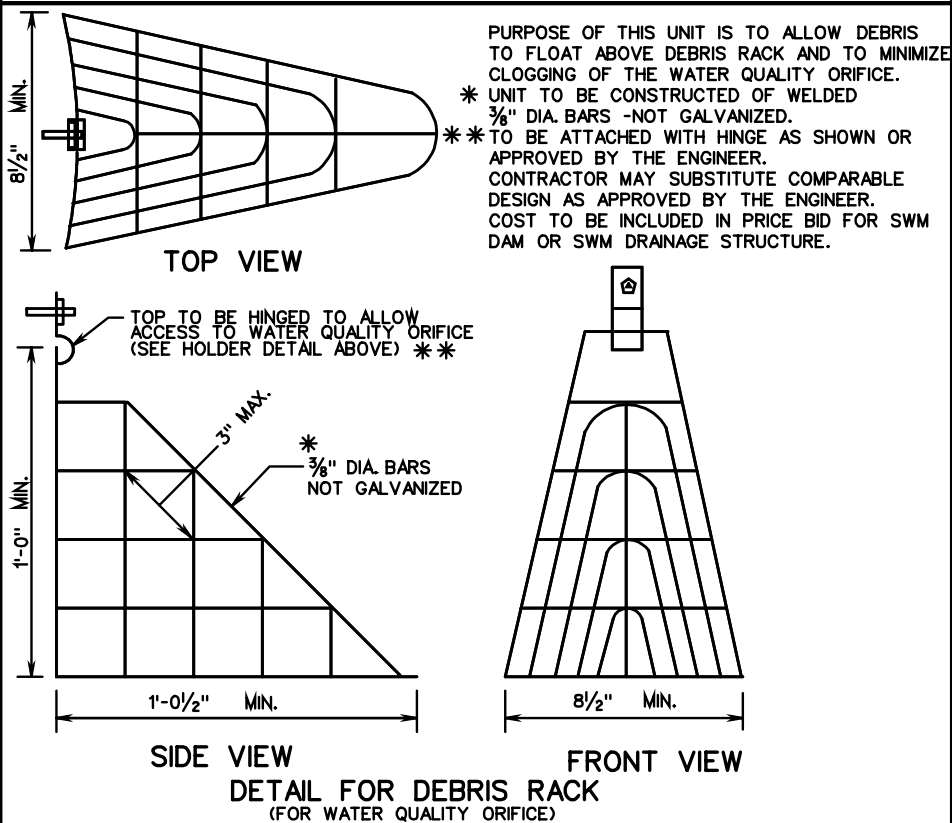
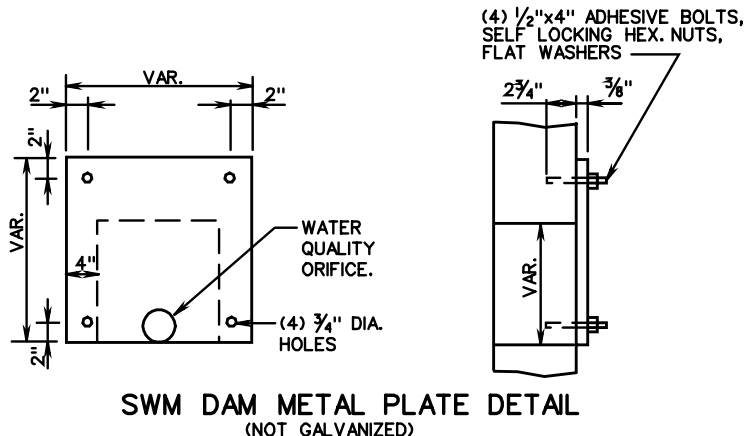
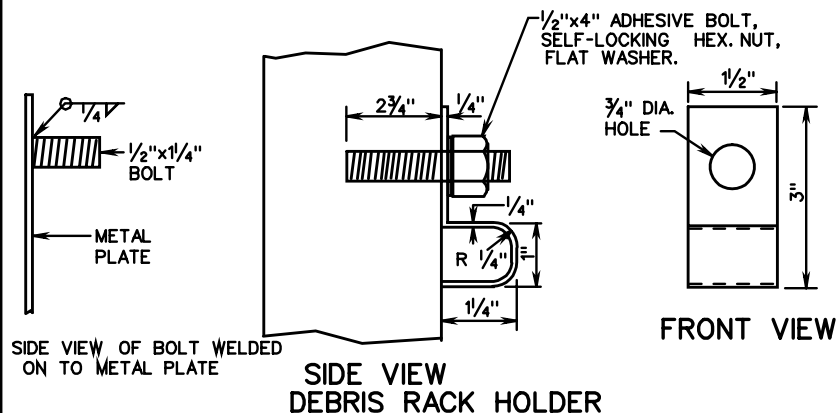


THE LOCATION OF THE DEBRIS RACK HOLDER MAY BE ADJUSTED FOR VARIABLE CONDITIONS.  
 WHEN THE HOLDER BOLT IS LOCATED ON THE METAL PLATE THE 1/2" DIA. BOLT LENGTH IS TO BE SHORTENED TO 1/4" AND WELDED TO THE PLATE.  
 DEBRIS RACK HOLDER AND ALL HARDWARE IS TO BE GALVANIZED.



SPECIFICATION REFERENCE
302

## STORMWATER MANAGEMENT (SWM) DETAILS

DEBRIS RACK, METAL PLATE, WATER QUALITY ORIFICE, CONCRETE CRADLE  
 (FOR SWM DRAINAGE STRUCTURES, SWM RISER PIPES AND SWM DAMS)  
 VIRGINIA DEPARTMENT OF TRANSPORTATION