

SURVEYED BY _____
 SUPERVISED BY _____
 DESIGNED BY _____

DESIGN FEATURES RELATING TO CONSTRUCTION
 OR TO REGULATION AND CONTROL OF TRAFFIC
 MAY BE SUBJECT TO CHANGE AS DEEMED
 NECESSARY BY THE DEPARTMENT

REVISED	FHWA REGION	STATE	FEDERAL AID		STATE		SHEET NO.
			PROJECT	ROUTE	PROJECT		

Section II - Signing

Appendix IIA-11

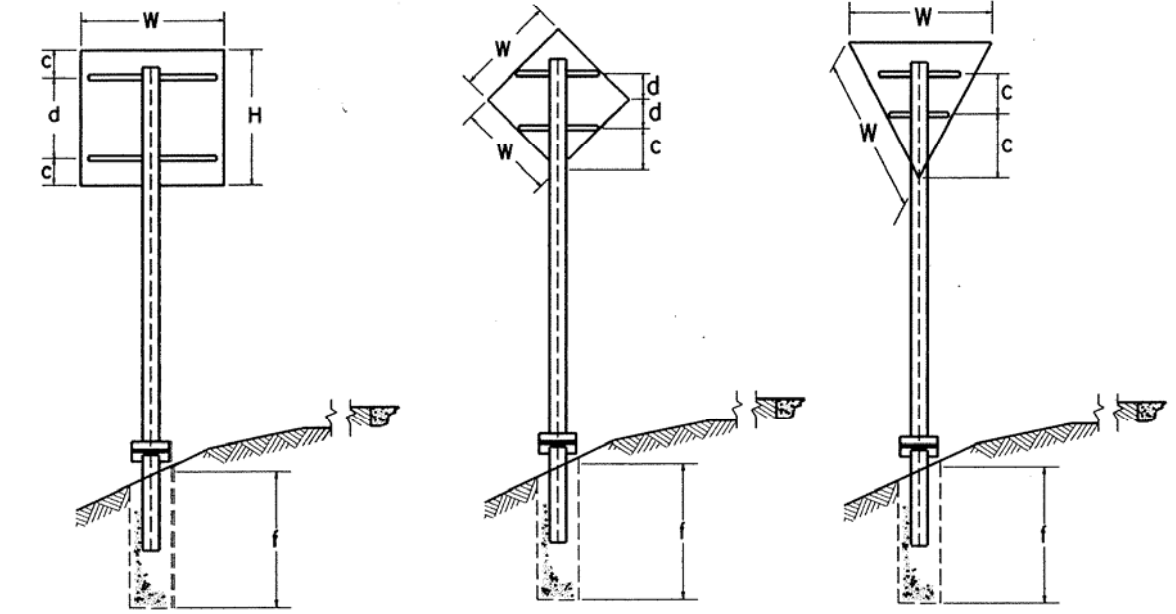
TYPE VIA SIGN STRUCTURE DETAILS

SIGN STRUCTURE TYPE VIA	SIGN PANEL DIMENSIONS		TYPICAL SIGN PANEL ATTACHMENT DETAILS								ALTERNATE SIGN PANEL ATTACHMENT DETAILS				SUPPORT																																		
			a	b	c	d	ZEE	TEE	CLAMPS		a	b	c	d	NO.	SIZE	POST SHAPE	POST LENGTH			ANCHOR BOLTS DIA.	TORQUE IN.-LBS.	BASE CONNECTION DATA TABLE											FUSE AND HINGE PLATE DATA TABLE							BOLT KEEPER PLATE DATA TABLE								
	NO.	SIZE					NO. 1	NO. 2	NO. 3	A								B	C	D			E	1	2	W	R	BOLT DIA.	a	b	c	d	g	g/2	BOLT DIA.	A	B	C	D	E									
	E	10'-0"	5'-0"	1'-0"	8'-0"	12"	3'-0"	1	B	1	4	1'-0"	8'-0"	4"	1'-1"	5	LARGE	W10X12	14'-0"	16'-9"	---	1/2"	200	5"	2"	1 1/4"	2 3/4"	1 1/8"	3 3/8"	1 1/2"	1 1/2"	1 1/4"	1 3/8"	1 1/2"	1 1/4"	1 1/8"	1 1/2"	4"	3 3/8"	3 1/2"	3 3/4"	2 1/4"	1 1/2"	1 1/2"	1 1/2"	5"	13 1/8"	3/4"	1 1/8"
U	16'-0"	8'-0"	3'-6"	9'-0"	12"	3'-0"	3	B	0	0	3'-2"	9'-7"	6"	2'-4"	4	LARGE	W12X22	17'-2"	21'-8"	---	3/4"	900	6"	2 1/4"	1 3/4"	3 1/2"	1 1/4"	1 5/8"	3 3/8"	1 1/2"	1 1/4"	1 3/8"	1 1/2"	1 1/4"	1 1/8"	1 1/2"	4"	3 3/8"	3 1/2"	3 3/4"	2 1/4"	1 1/2"	1 1/2"	1 1/2"	6"	16 3/4"	1/2"	1 1/8"	2 1/4"
OO	9'-6"	8'-6"	0'-9"	8'-0"	15"	3'-0"	1	B	2	8	0'-9"	8'-0"	6"	1'-3"	7	LARGE	W12X16	17'-0"	19'-9"	---	5/8"	600	5"	2"	1 1/4"	2 3/4"	1 1/8"	3 3/4"	1 1/2"	1 1/4"	1 3/8"	1 1/2"	1 1/4"	1 1/8"	1 1/2"	4"	1 1/4"	1 3/4"	3 3/4"	2 1/4"	1 1/8"	3 3/8"	1 1/2"	5"	16"	3/4"	1 1/8"	2 1/4"	

NOTE TO DESIGNER:
 REFER TO INSTRUCTIONS AND SUPPLEMENTAL CHARTS FOR CALCULATING DATA WHEN PANEL SIZE IS NOT GIVEN ON WORKSHEET. FOR FOUNDATION DETAILS REFER TO PAGE 1301.70 OF THE ROAD AND BRIDGE STANDARDS.

TYPICAL DETAILS FOR NON-STANDARD TYPE VA SIGN STRUCTURES

SIGN STRUCTURE TYPE	SIGN PANEL DIMENSIONS		TYPICAL SIGN PANEL ATTACHMENT DETAILS				ALTERNATE SIGN PANEL ATTACHMENT DETAILS				POST DIMENSIONS			FOUNDATION DIMENSIONS		WELDED WIRE MESH		STEEL BASE PLATE
	W	H	c	d	TEE 6061-T6		c	d	STIFFENER		POST SIZE	LENGTH SLOPE 2:1	CLAMP	F	DIA.	LENGTH	SQ. FT.	T (THICKNESS)
					NO.	LENGTH			NO.	SIZE								
G(MOD)	36"	-	1'-0"	-	1	1'-8"	10"	-	3	MED	W4X13	12'-0"	4	3'-0"	1'-0"	2'-6"	5	1/2"
					1	0'-10"												



NOTES FOR TYPE VA AND VIA SIGN STRUCTURES:

- For mounting height, lateral adjustments and maximum projection of foundation stub pole, reference Virginia Department of Transportation, Road and Bridge Standards.
- Pole lengths shown on plans are typical for 2:1 slope. All pole lengths shall be field checked by the contractor prior to fabrication.

ROADWAY SIGNING
 TYPE VIA & NON-STANDARD VA
 SIGN STRUCTURE DETAILS

PLAN NO. A	PROJECT	FILE NO.	SHEET NO.
---------------	---------	----------	-----------