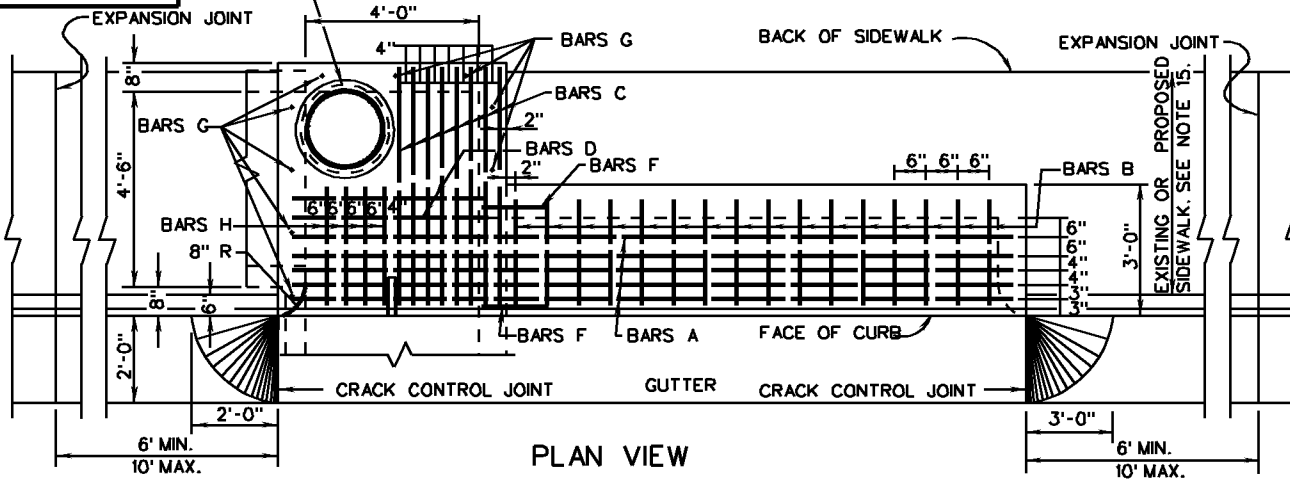


DI-4A, 4B, 4C

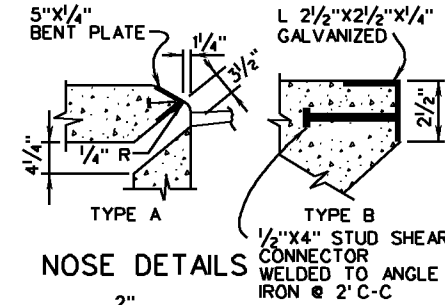
FOR DETAILS OF INLET FRAME & COVER SEE STANDARD IC-2.



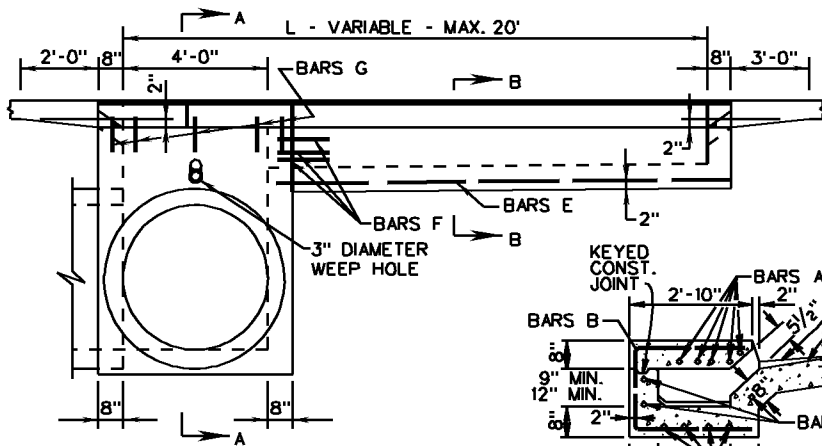
PLAN VIEW

GALVANIZED PLATE TO BE BENT ON AN ANGLE OF 68°30' AND IS TO BE ANCHORED WITH 1/2" X 4" STUD SHEAR CONNECTORS WELDED TO BENT PLATE AT 2'-0" C-C.

TYPE A NOSE DETAIL SHALL BE USED WITH CG-3 AND CG-7 STANDARDS. TYPE B NOSE DETAIL SHALL BE USED WITH CG-2 AND CG-6 STANDARDS.



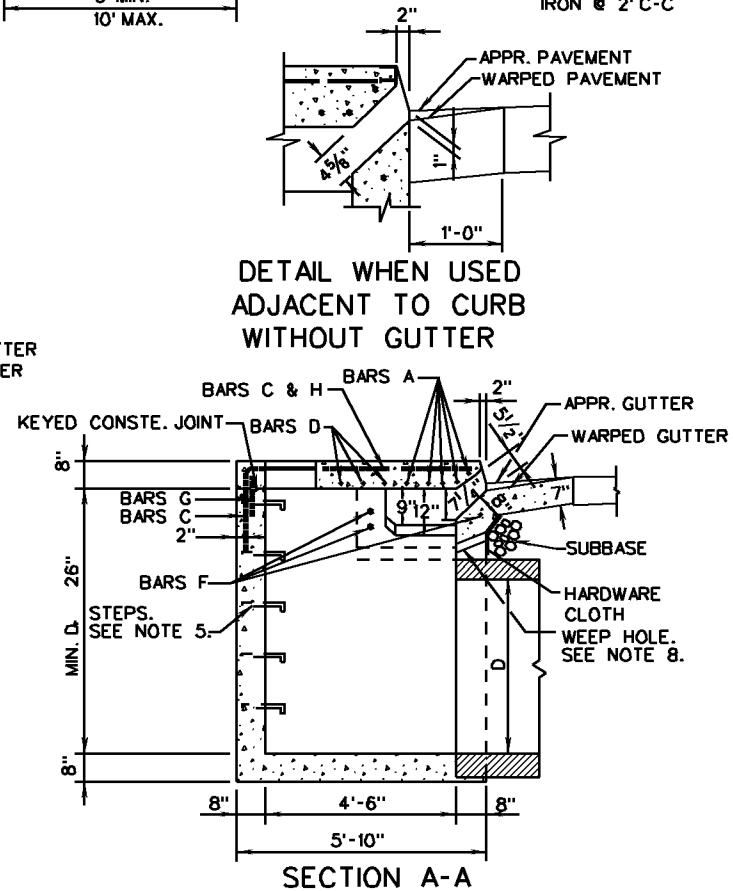
NOSE DETAILS



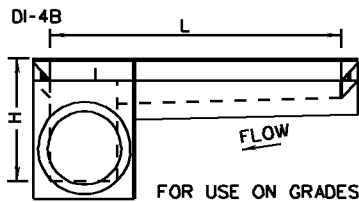
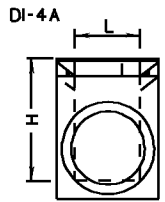
FRONT ELEVATION VIEW
(GUTTER REMOVED)

SECTION B-B

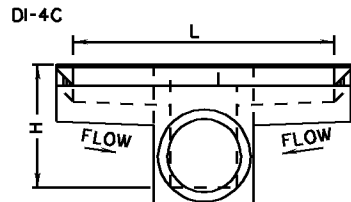
DETAIL WHEN USED
ADJACENT TO CURB
WITHOUT GUTTER



SECTION A-A



FOR USE ON GRADES



FOR USE IN SACS
BOTH SIDES TO BE SYMMETRICAL



ROAD AND BRIDGE STANDARDS

STANDARD CURB DROP INLET

36" - 48" PIPE: MAXIMUM DEPTH (H) = 8'

VIRGINIA DEPARTMENT OF TRANSPORTATION

SPECIFICATION
REFERENCE

SHEET 1 OF 2

REVISION DATE

233
302

104.15

10/09