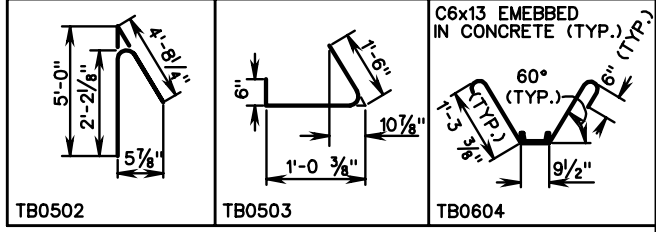


**REINFORCING STEEL SCHEDULE**

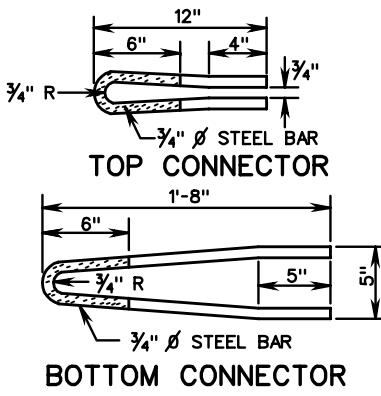
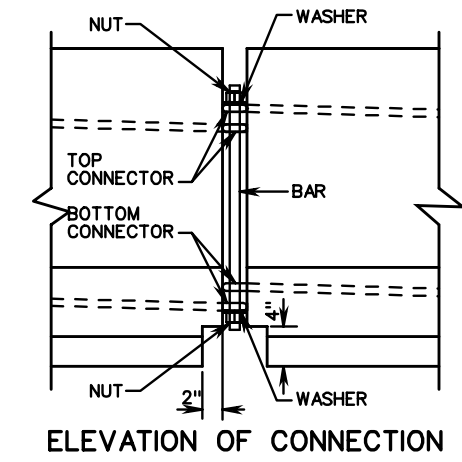
FOR ONE (1) SECTION

MARK	No.	SIZE	LENGTH	PIN Ø	LOCATION
TB0401	8	4	11'-5"	—	TEMP. PARAPET
TB0502	12		4'-3"	2 1/2"	
TB0503	12	5	2'-8"	2 1/2"	
TB0604	4	6	4''-8''	4 1/2"	

**BENDING DIAGRAM**

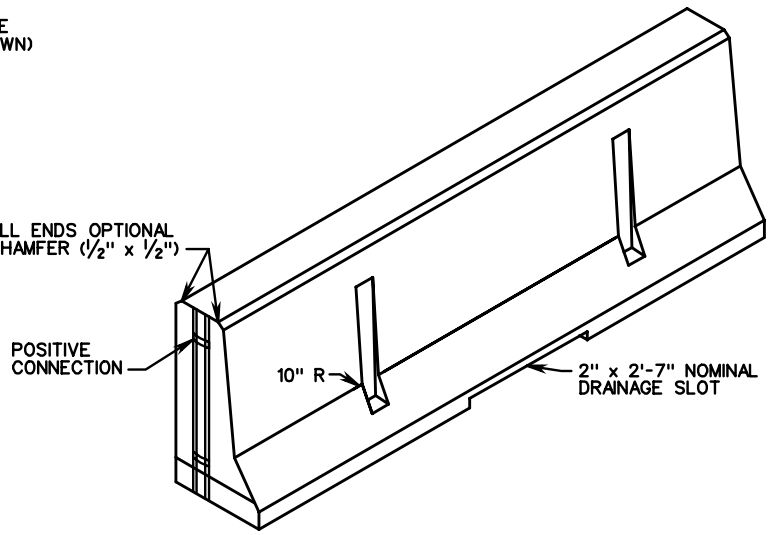


DIMENSIONS IN BENDING DIAGRAMS ARE OUT-TO-OUT OF BARS, EXCEPT AS SHOWN.  
 POUNDS OF REINFORCING STEEL = 176  
 REINFORCING SCHEDULE BASED ON 12'-0" UNIT LENGTH.



GALVANIZE AFTER FORMING  
 NOTE: ENTIRE CONNECTOR MAY BE GALVANIZED.

ALL ENDS OPTIONAL CHAMFER (1/2" x 1/2")



**TRAFFIC BARRIER SERVICE CONCRETE PARAPET (SINGLE FACE)  
 (FOR TEMPORARY INSTALLATION ON BRIDGE DECK EXTERIOR)**

SPECIFICATION REFERENCE
105 502