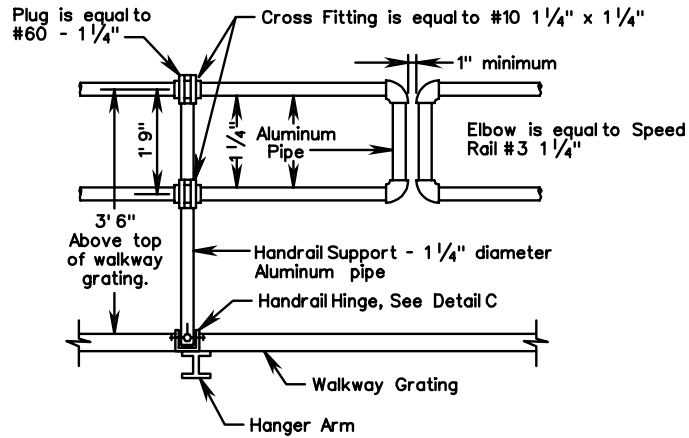


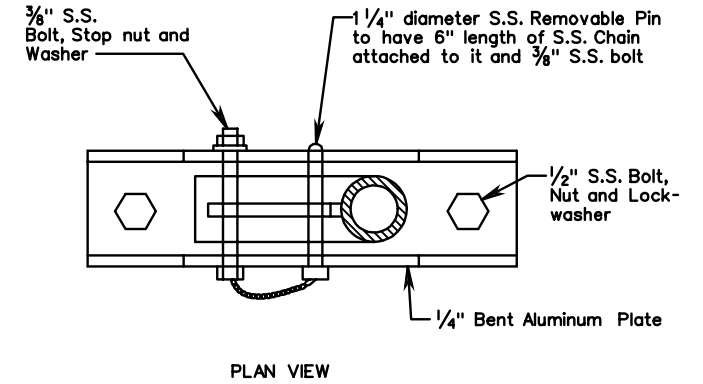
DETAIL B

HANDRAIL ELEVATION



DETAIL C

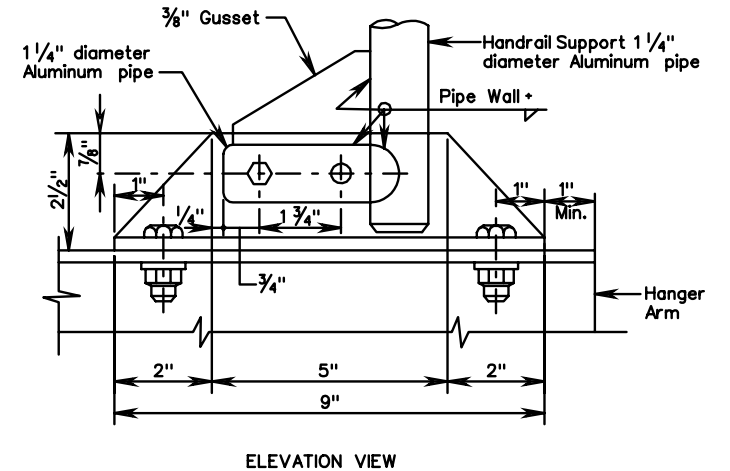
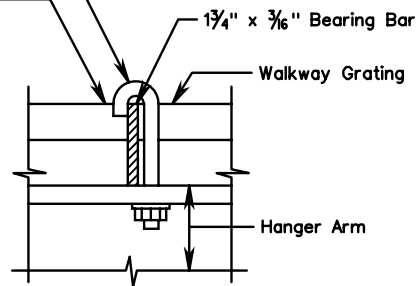
HANDRAIL HINGE



DETAIL D

1/4" S.S. J-Bolt, Stop Nut and Washer

3/4" x 1/8" Crimp Bar



TYPICAL DETAILS FOR OVERHEAD SIGN STRUCTURES