

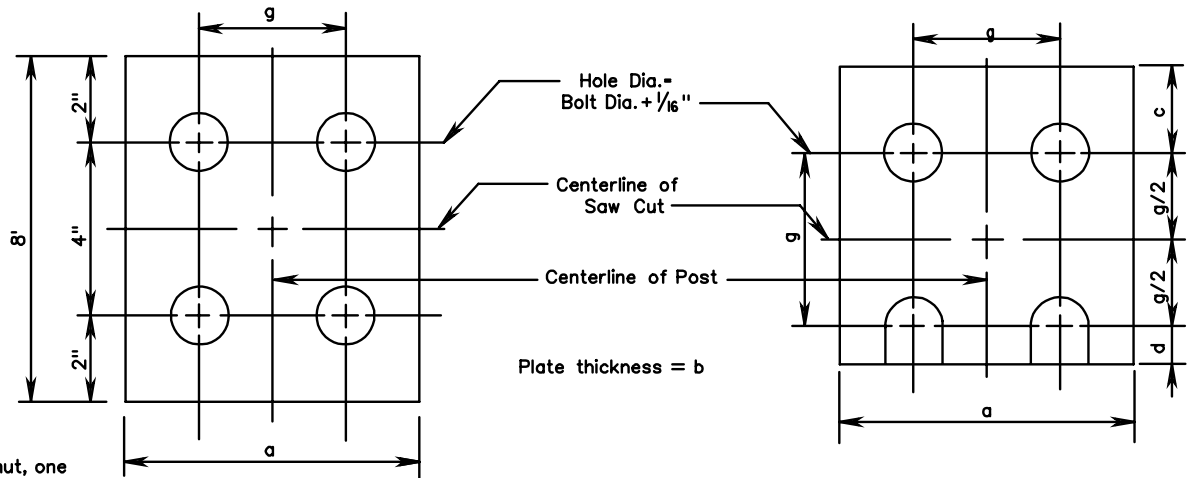
HINGE PLATE DETAIL

FUSE PLATE DETAIL

ZEE BARS		
TYPE	SIZE	WEIGHT
A	2 3/8" x 1/4" x 3/16"	1.00lbs./ft.
B	3" x 2 1/16" x 1/4"	2.40lbs./ft.
C	4" x 3/16" x 1/4"	2.93lbs./ft.
D	5" x 3/4" x 5/16"	4.13lbs./ft.
E	6" x 3/2" x 3/8"	5.58lbs./ft.

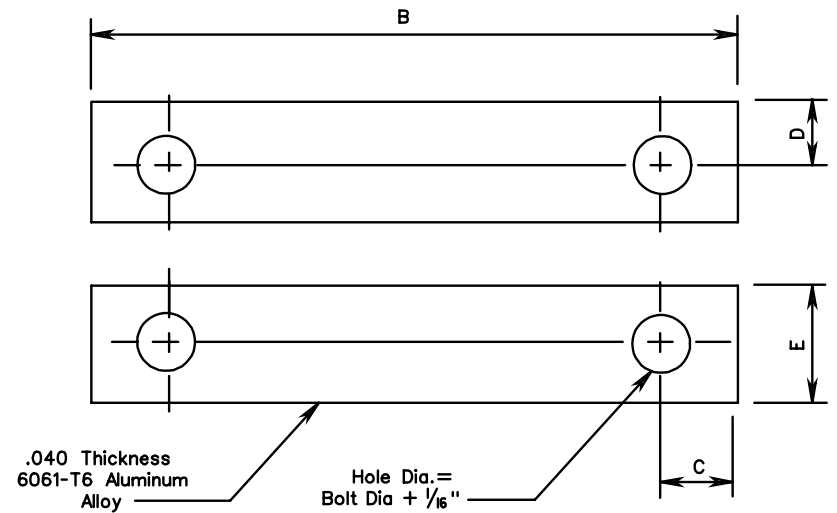
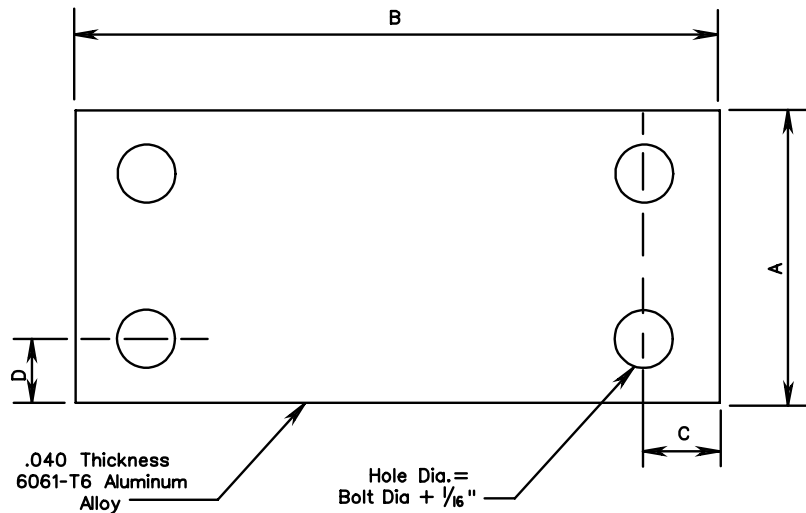
NOTES:

Use H.S. bolts with hexagon head and hexagon nut, one flat washer under each bolt head and bevel or flat washer, where required, under nut. Tighten in accordance with section 407.06 of the Road and Bridge Specifications.



BOLT KEEPER PLATE

ALTERNATE BOLT KEEPER PLATE



TYPICAL DETAILS FOR TYPE VI A INTERSTATE SIGN STRUCTURES

VIRGINIA DEPARTMENT OF TRANSPORTATION