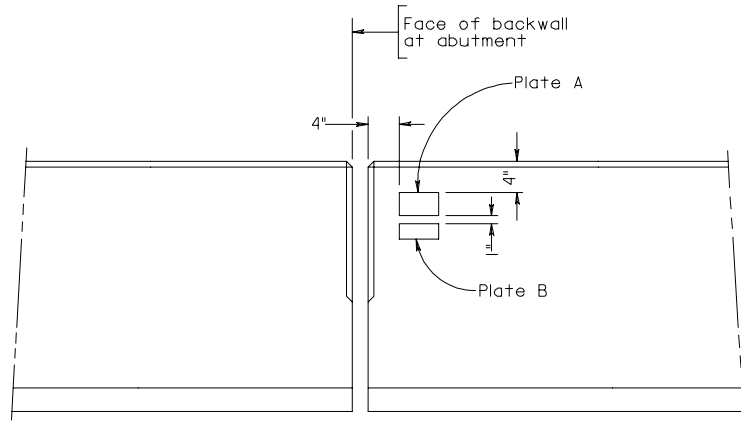


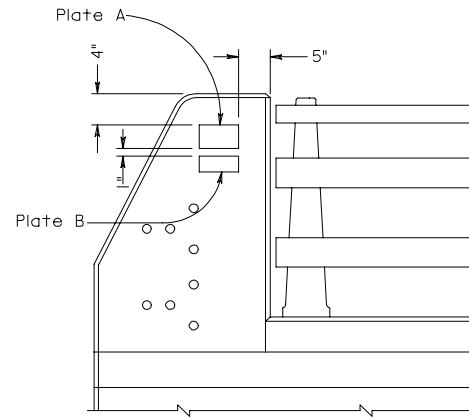
SECTION
1100

MISCELLANEOUS
STRUCTURE & BRIDGE
STANDARDS

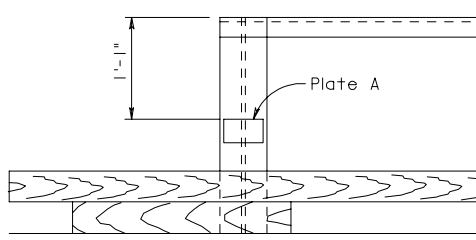


TERMINAL WALL/PARAPET

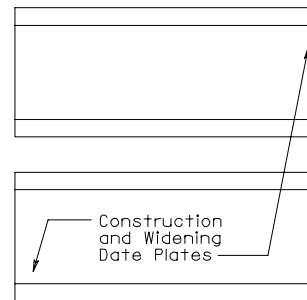
PARAPET



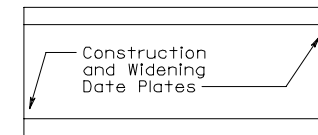
TERMINAL WALL/ALUMINUM RAIL



STEEL END POST

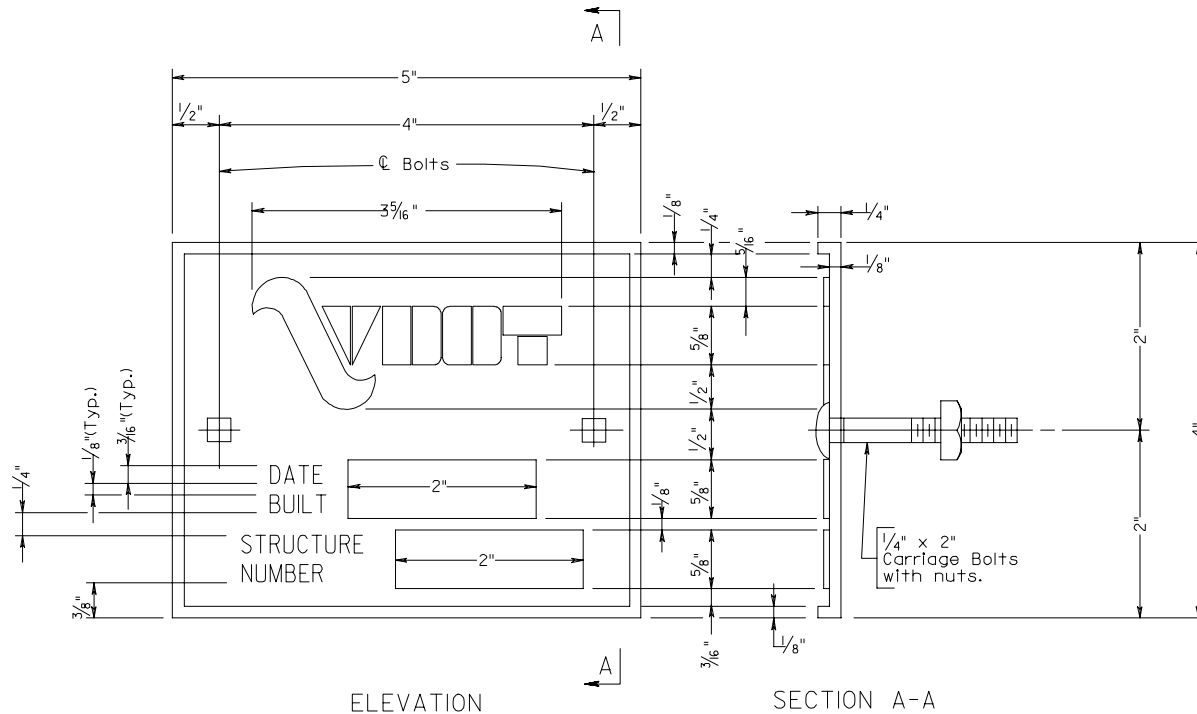


LOCATION SKETCH FOR TWIN BRIDGE



LOCATION SKETCH FOR SINGLE BRIDGE

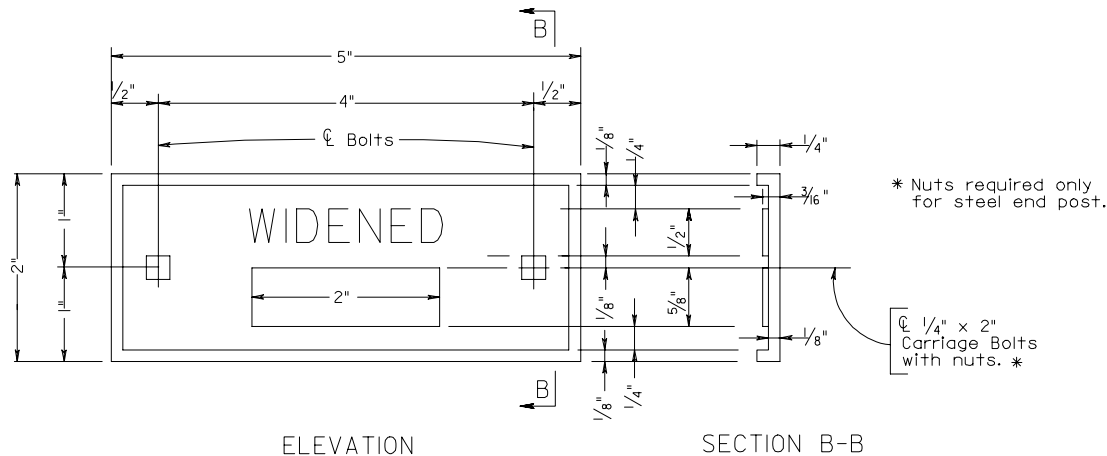
BRIDGE CONSTRUCTION AND WIDENING DATE PLATES
PLACEMENT DETAILS



ELEVATION

SECTION A-A

PLATE A
Scale: 1/2" = 1'-0"



ELEVATION

SECTION B-B

PLATE B
Scale: 1/2" = 1'-0"

NOTE:
Date Plates A & B shall be bronze.
All raised surfaces shall have a bright finish.
Date Built and Structure Number to be stamped on plates with a 1/2" steel numbering stamp by state personnel.
Carriage bolts and nuts may be bronze or stainless steel.

* Nuts required only for steel end post.

1/4" x 2" Carriage Bolts with nuts. *