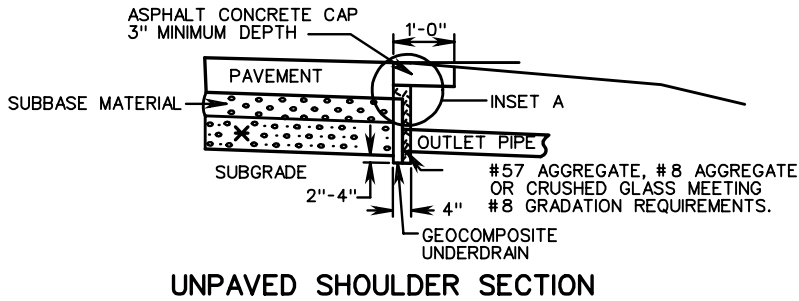
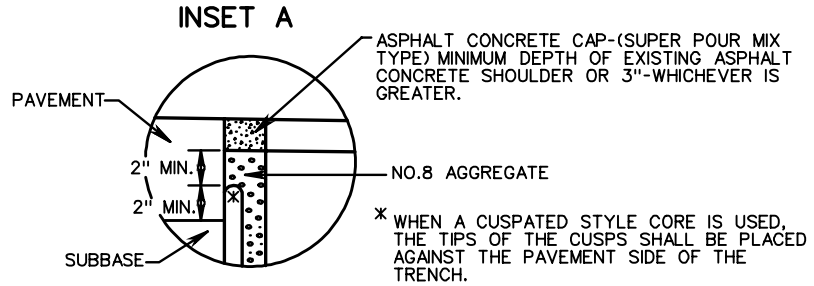
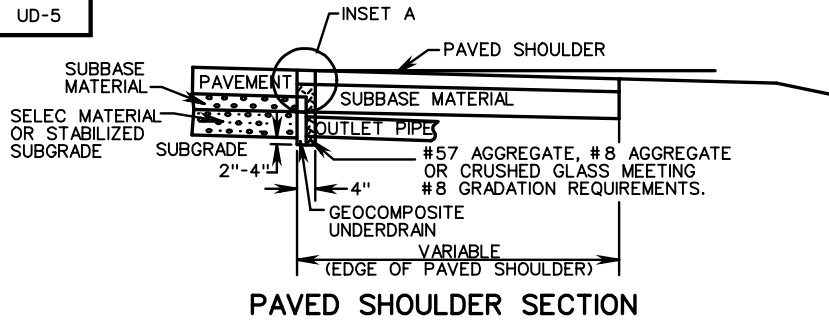
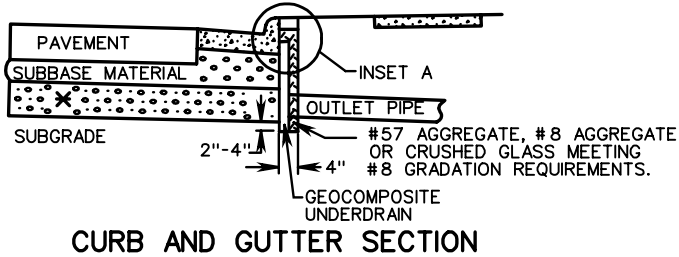
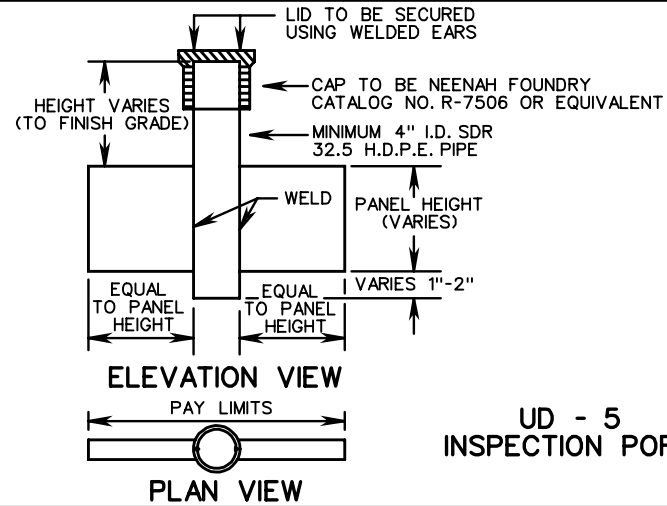


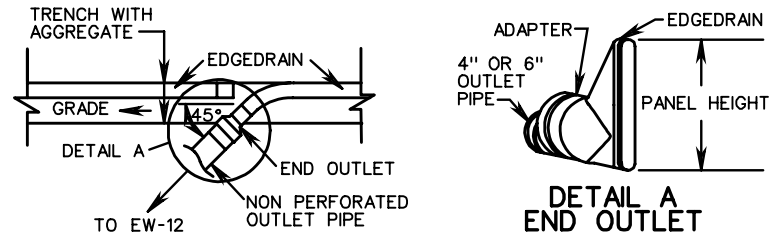
UD-5



* SELECT MATERIAL OR STABILIZED SUBGRADE MATERIAL



* SELECT MATERIAL OR STABILIZED SUBGRADE MATERIAL



**EDGEDRAIN CONNECTION TO OUTLET PIPE
NON-PERFORATED OUTLET PIPE**

TYPE OF PIPE	CRUSHING STRENGTH			
	* W.T.	4" NOM. DIAMETER	* W.T.	6" NOM. DIAMETER
CORRUGATED ALUMINUM			0.048	
SMOOTH WALL PVC	.103		0.153	
SMOOTH WALL PE		70 PSI ***		70 PSI ***

* WALL THICKNESS (MIN) - INCHES
*** TESTED ACCORDING TO ASTM D-2412 AT 5% DEFLECTION.

NOTES:

1. INVERT ELEVATION AT OUTLET END OF OUTLET PIPE TO BE A MINIMUM OF 1'-0" ABOVE INVERT ELEVATION OF RECEIVING DRAINAGE DITCH OR STRUCTURE.
2. ALL CONNECTIONS (ELBOWS, WYES, ETC.) WITHIN PAY LIMITS FOR OUTLET PIPE ARE TO BE OF THE SAME CRUSHING STRENGTH AS THE OUTLET PIPE.
3. OUTLET PIPES ARE TO BE INSTALLED ON 2% MIN. (3% DESIRABLE) GRADE AND LOCATED EVERY 350' MAXIMUM OR AS NOTED ON PLANS.
4. OUTLET PIPE TO BE SECURELY CONNECTED TO EW-12 OR OTHER DRAINAGE STRUCTURE.
5. UD-5 INSPECTION PORTS ARE TO BE LOCATED WHERE SPECIFIED ON THE PLANS.

**PREFABRICATED GEOCOMPOSITE RETROFIT
PAVEMENT EDGEDRAIN**

SPECIFICATION REFERENCE

240
501
701

REV 8/07

108.08

VIRGINIA DEPARTMENT OF TRANSPORTATION