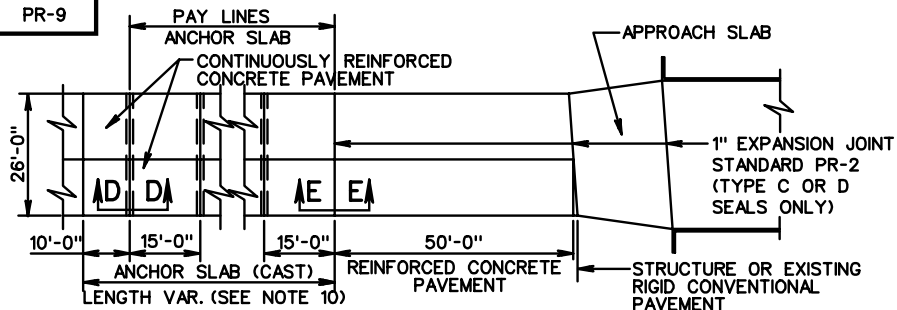
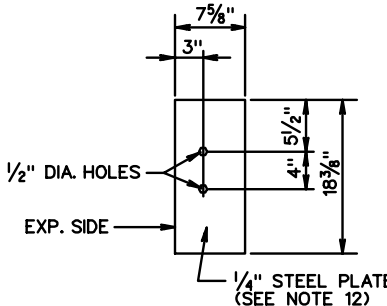


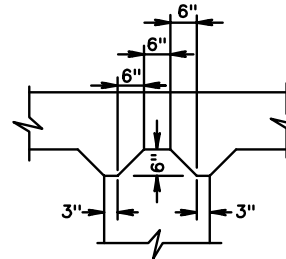
PR-9



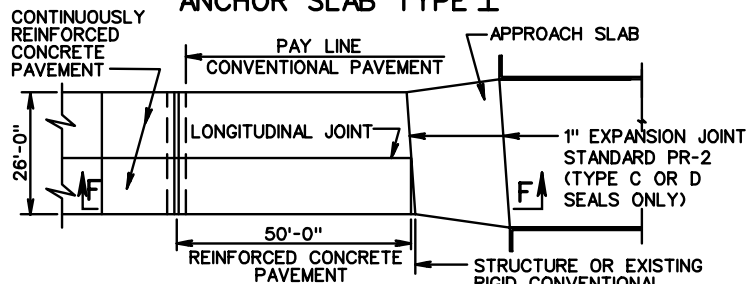
PLAN VIEW ANCHOR SLAB TYPE I



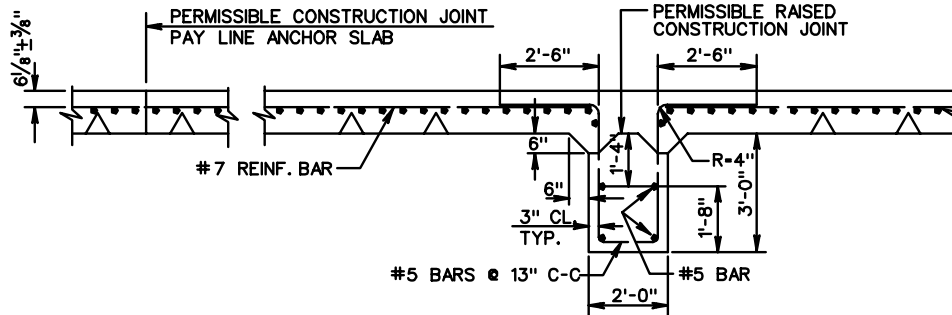
ANCHOR SLAB TYPE II END PLATE DETAIL



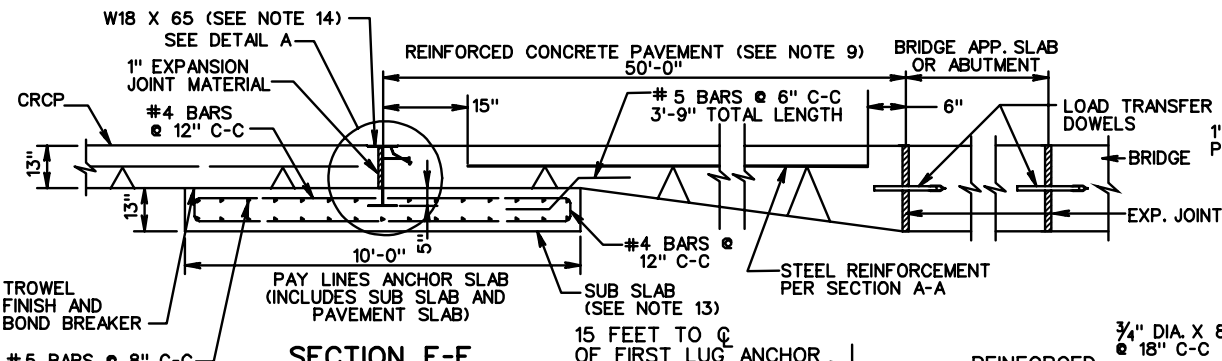
DETAIL A RAISED KEY CONSTRUCTION JOINT



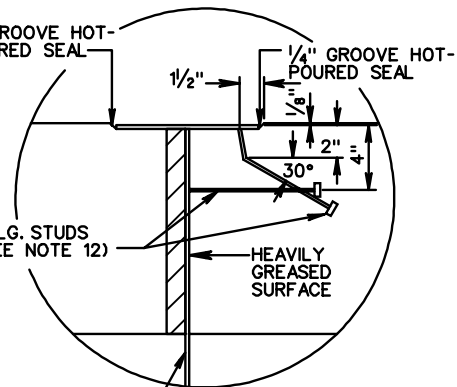
PLAN VIEW ANCHOR SLAB TYPE II



SECTION D-D



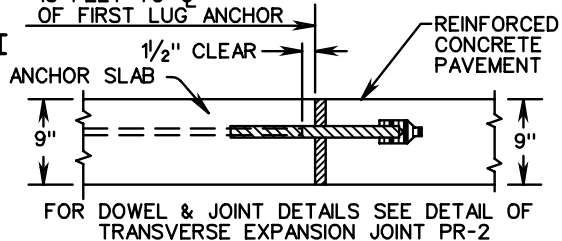
SECTION F-F ANCHOR SLAB TYPE II (SEE NOTE 11)



DETAIL A

BARS TO BE SECURELY FASTENED TO PREVENT SEPARATION DURING CONCRETE PLACEMENT.

TYPICAL LONGITUDINAL LAP



SECTION E-E ANCHOR SLAB TYPE I

FOR DOWEL & JOINT DETAILS SEE DETAIL OF TRANSVERSE EXPANSION JOINT PR-2

SHEET 2 OF 3

SEE SHEET 3 OF 3 FOR NOTES

13" THICK CONTINUOUSLY REINFORCED CONCRETE PAVEMENT 14' TRAVEL LANE

REV. 7/03 301.26

VIRGINIA DEPARTMENT OF TRANSPORTATION

SPECIFICATION REFERENCE

316