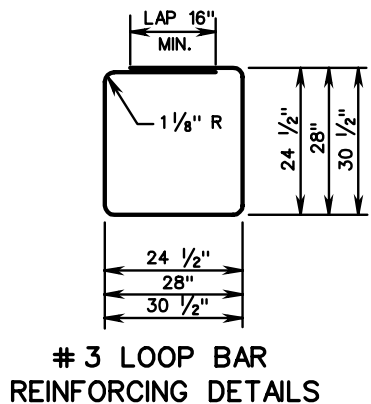
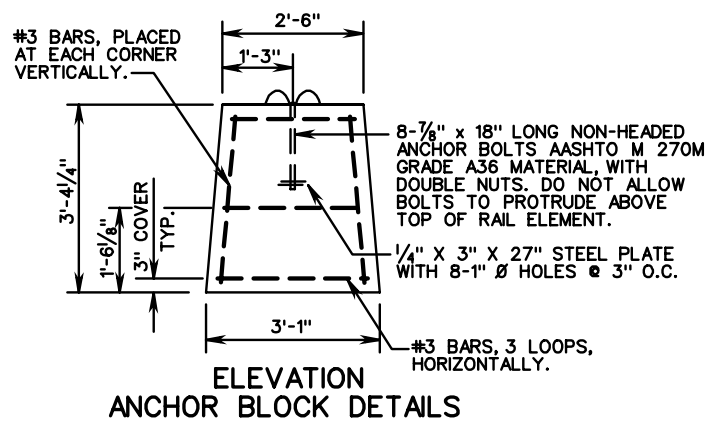
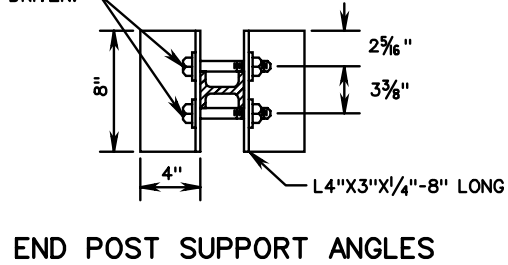
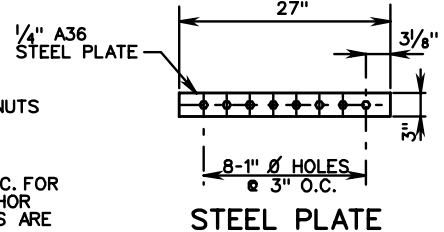
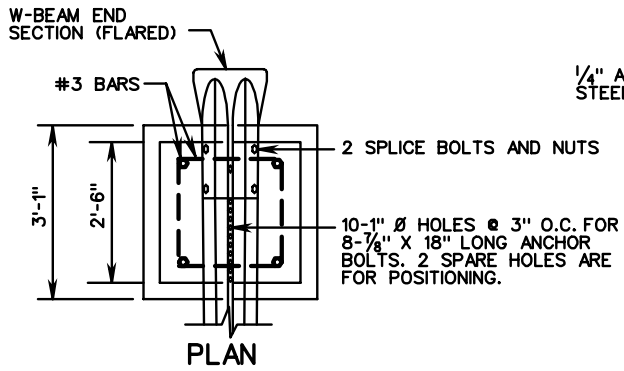


5/8" Ø HOLES FOR 3/4" BOLTS 4 1/2" LONG WITH NUTS AND WASHERS. BOLTS TORQUED TO 100 + 20 FT. LBS. AFTER POST IS DRIVEN.



GR-8 TYPE II TERMINAL TREATMENT (RUN-OFF ANCHORAGE)

SHEET 2 OF 2

**STANDARD W BEAM GUARDRAIL (WEAK POST SYSTEM)**  
**TL-3 (>45 MPH)**  
 VIRGINIA DEPARTMENT OF TRANSPORTATION

SPECIFICATION REFERENCE
221 505

REV. 7/01  
501.15