

NOTES:  
 APPROXIMATE MATERIALS PER INSTALLATION:  
 1- $\frac{5}{8}$ " ROUND BY 8'-0" LONG COPPER CLAD GROUND ROD.  
 1 GROUND ROD CLAMP  
 1-7'-0" #6 AWG SOLID COPPER WIRE  
 3\* COMPRESSION CONNECTORS (SUITABLE FOR COPPER AND ALUMINUM)

\* MINIMUM 3 CONNECTORS FOR 47" FENCE FABRIC TO BE SECURED TO TOP, BOTTOM AND ONE INTERMEDIATE HORIZONTAL WIRE STRAND. ONE ADDITIONAL CONNECTOR TO BE FURNISHED FOR EACH STRAND OF BARBED WIRE.

ON BARBED WIRE INSTALLATIONS, ONE CONNECTOR IS TO BE FURNISHED FOR EACH STRAND.

GROUND WIRE IS TO BE IN CONTACT WITH HORIZONTAL WIRE OF FENCE BY COMPRESSION CONNECTORS AS SHOWN.

GROUND RODS TO BE LOCATED ON POST SIDE OF FENCE AND AS CLOSE AS POSSIBLE TO POST AND FENCE.

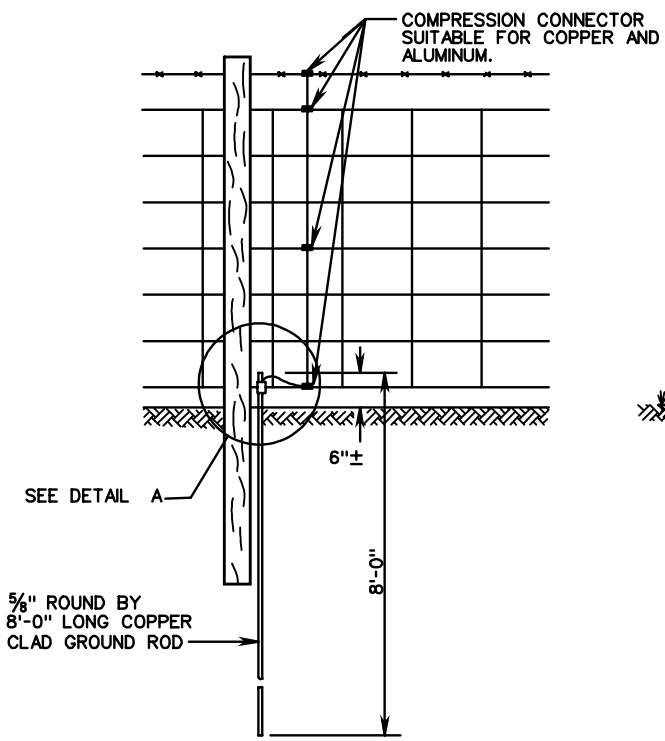
UNLESS CALLED FOR IN THE PLANS OR DIRECTED BY THE ENGINEER, FENCE GROUNDING WILL BE REQUIRED FOR METAL FENCES INCLUDING PLASTIC COATED FENCE FABRIC AT THE FOLLOWING LOCATIONS.

-WHEN HIGH VOLTAGE LINES (500 kv AND ABOVE) CROSS ABOVE THE FENCE. GROUNDS SHALL BE INSTALLED 50' BEYOND THE OVERHEAD CROSSING POINT OF THE OUTER MOST CONDUCTORS OF THE HIGH VOLTAGE LINES.

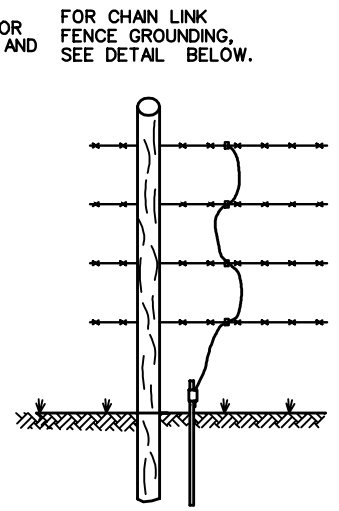
-WHEN THE HIGH VOLTAGE LINES (500 kv AND ABOVE) THAT ARE PARALLEL TO AND WITHIN 40' HORIZONTALLY OF THE FENCE. GROUNDS SHALL BE INSTALLED AT 50' INTERVALS ALONG THE FENCE FOR THE PARALLEL SECTION OF FENCE AND HIGH VOLTAGE LINES.

COST FOR FURNISHING AND PLACING ALL GROUNDING MATERIALS IS TO BE INCLUDED IN PRICE BID PER LINEAR METER OF FENCE.

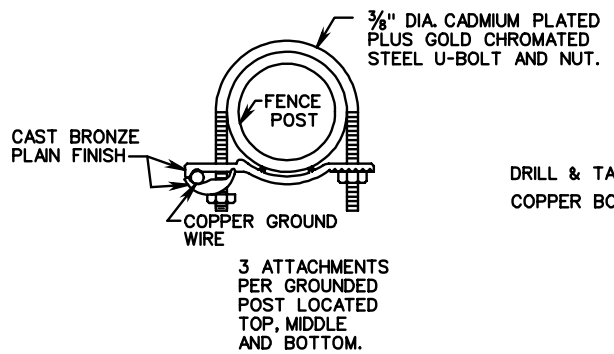
DETAILS SHOWN HEREON ARE TO APPLY TO ALL FENCE TYPES. LAWN FENCES WILL BE GROUNDED ONLY WHEN RECOMMENDED BY THE ENGINEER.



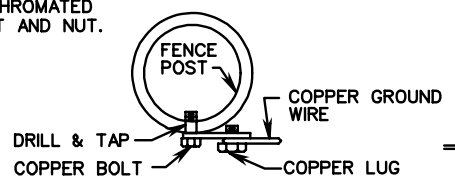
ELEVATION



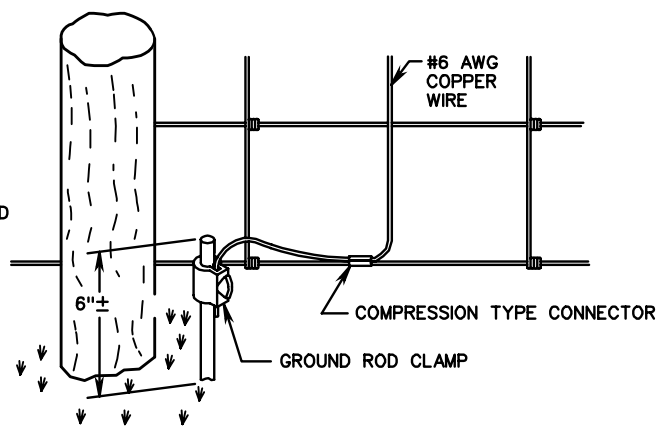
ELEVATION



DETAIL FOR GROUNDING STEEL POST OF CHAIN LINK FENCE



ALTERNATE



DETAIL A

SPECIFICATION REFERENCE
507 236

## STANDARD METHOD OF FENCE GROUNDING